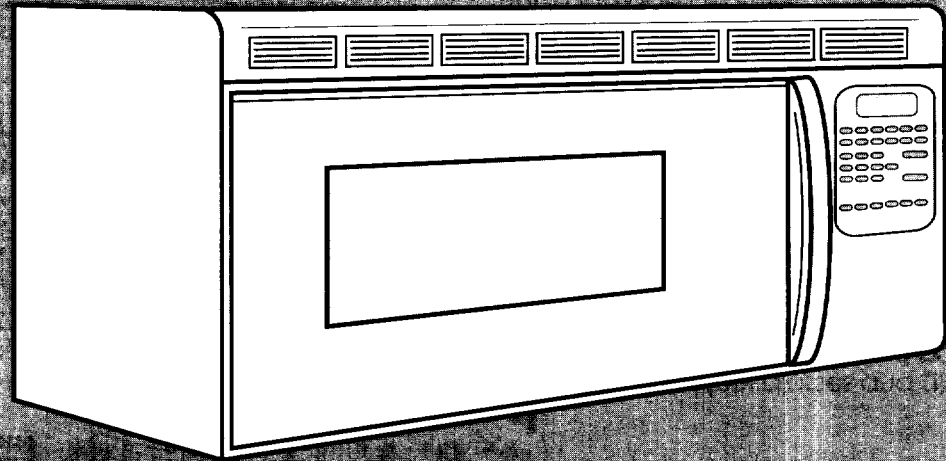


Installation Instructions



Part No. 3828W5U0045/4359970

IMPORTANT:
Read and save
these instructions.

IMPORTANT:

Installer: Leave Installation Instructions with homeowner.

Homeowner: Keep Installation Instructions for future reference.

Save Installation Instructions for electrical inspector's use.

Microwave Oven Hood Combination

Before you start...

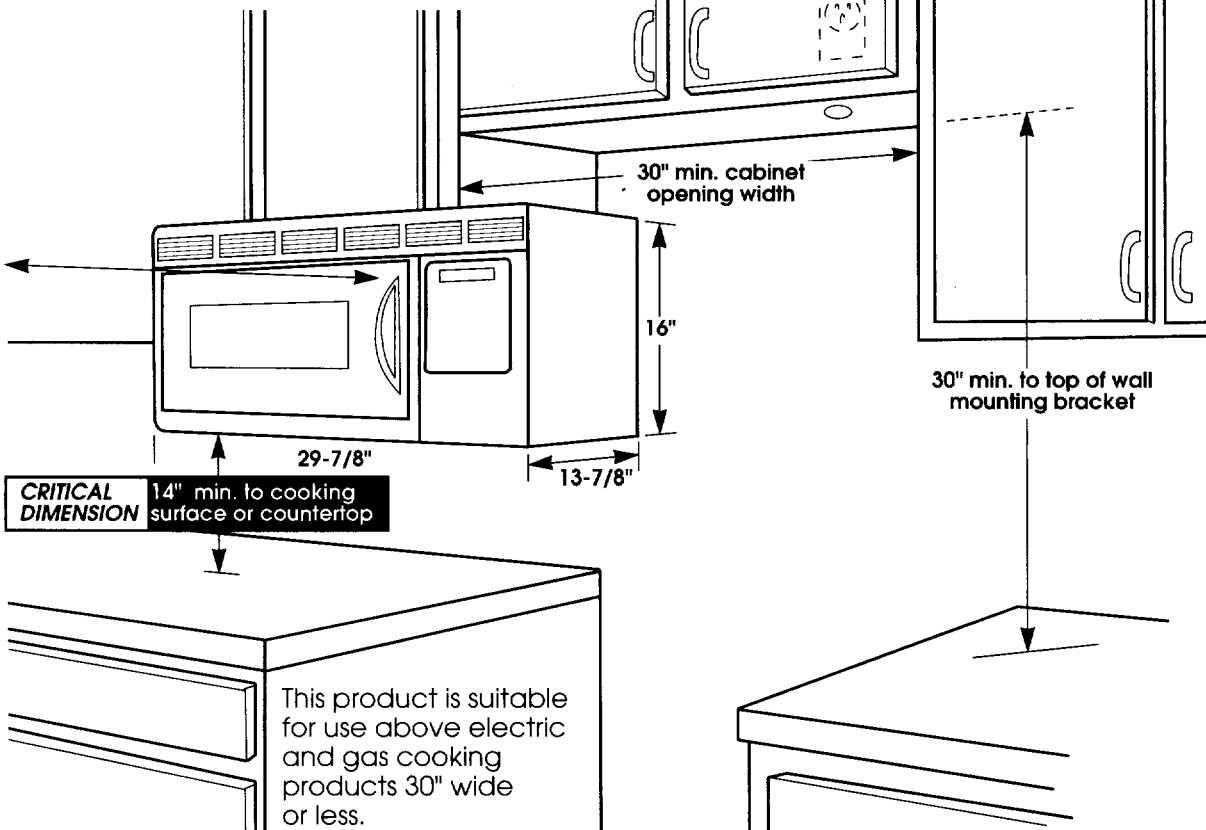
Proper installation is the installer's responsibility. A qualified technician should install this microwave oven hood. Make sure you have everything necessary for correct installation. It is the responsibility of the installer to comply with the installation clearances specified either on the mounting bracket or in the Installation Instructions.

This microwave oven hood is shipped assembled for ventless (recirculating) installation.

Important: Observe all governing codes and ordinances.

Electrical ground is required. See "Electrical requirements," Panel B.

Remove all contents from the upper cabinet.



Wall construction should be a minimum of 2" x 4" wood studs and 3/8" thickness drywall or plaster/lath.

Check the microwave oven for damage. Remove all packaging material from inside microwave oven. See WARNING for excessive microwave energy exposure. If any damage is evident, Do Not operate the microwave oven until it is checked by an authorized service technician.

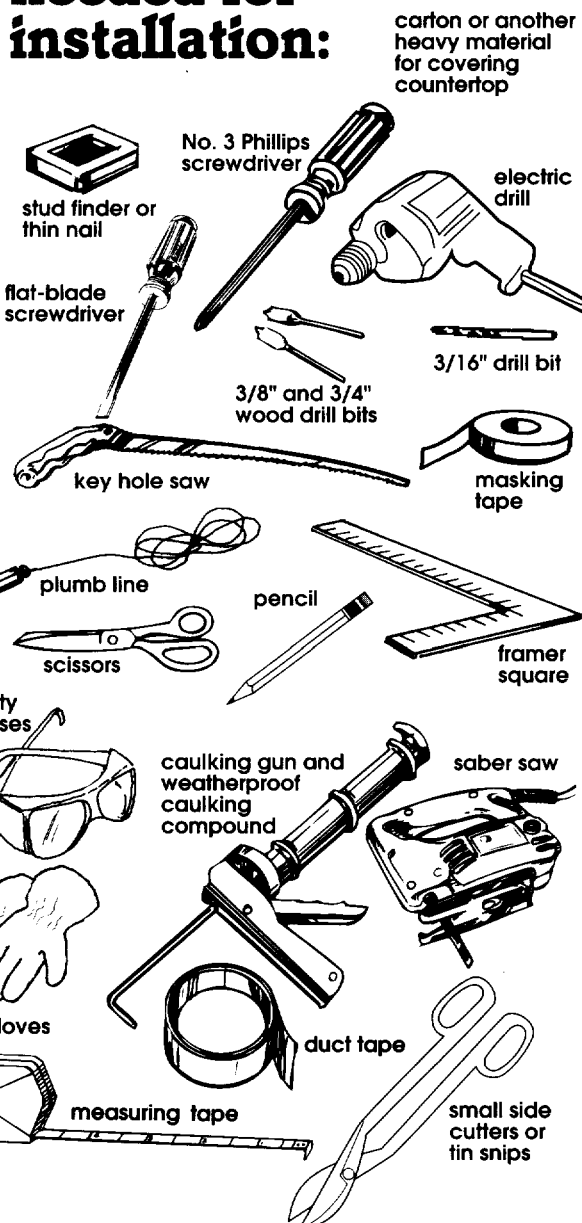
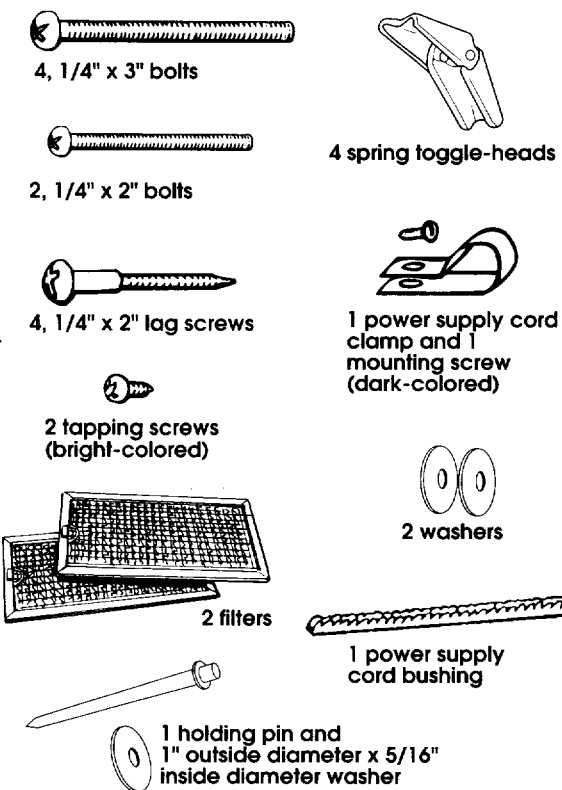
Place a portion of carton or another heavy material over the countertop and range before installing the microwave oven hood. Do Not use a plastic cover.

Check location:

- The wall must be strong enough to support the microwave oven hood weight of 150 pounds, plus the weight of any items placed inside the microwave oven or the upper cabinet.
- The location should be away from draft areas, such as windows, doors, and strong heating vents.
- The microwave oven hood should be located for convenient use in the kitchen.

Tools and materials needed for installation:

Parts supplied for installation:



Special hardware and tools are required for brick or masonry walls.

Your safety and the safety of others is very important.

We have provided many important safety messages in this manual and on your appliance. Always read and obey all safety messages.



This is the safety alert symbol. This symbol alerts you to hazards that can kill or hurt you and others. All safety messages will be preceded by the safety alert symbol and the word "DANGER" or "WARNING". These words mean:

⚠ DANGER

You will be killed or seriously injured if you don't follow instructions.



⚠ WARNING

You can be killed or seriously injured if you don't follow instructions.

All safety messages will identify the hazard, tell you how to reduce the chance of injury, and tell you what can happen if the instructions are not followed.

⚠ WARNING

Excessive Microwave Energy Exposure

- Do Not attempt to operate this microwave oven with the door open.
- Do Not tamper with or defeat the safety interlocks.
- Do Not place objects between the microwave oven front face and the door.
- Do Not allow soil or cleaner residue to accumulate on sealing surface of microwave oven door.
- Do Not operate microwave oven if it is damaged. The microwave oven door must close properly to provide safe operation. Do Not use microwave oven if door is bent; hinges and latches are broken or loose; or door seals, sealing surfaces or glass is broken.
- The microwave oven should be adjusted and repaired only by a qualified repair person. Have a qualified repair person check for microwave leakage if a repair is made.
- Do Not use microwave oven for commercial purposes. This microwave oven is designed for household use only.
- Failure to use microwave oven except as instructed could result in exposure to excessive microwave energy.

⚠ WARNING



Electrical Shock Hazard

- Take special care when drilling holes into the wall.
- Electrical wires may be concealed behind the wall covering, and contact with them could result in death or serious injury.

It is the customer's responsibility:

- To contact a qualified electrical installer.
- To assure that the electrical installation is adequate and in conformance with National Electrical Code, ANSI/NFPA 70 — latest edition*, and all local codes and ordinances.

⚠ WARNING

Excessive Weight Hazard

- Use two or more people to move and install oven.
- This microwave oven hood must be mounted against and supported by a flat, vertical wall.
- This microwave oven hood must be attached with two lag screws to a minimum of one, vertical 2" x 4" wall stud.
- Do Not mount microwave oven hood to an island or peninsula cabinet.
- The top and rear supporting structure for microwave oven hood must be capable of supporting 150 pounds, plus the weight of any items placed inside the microwave oven or upper cabinet.
- Failure to follow these instructions can result in back or other injury.

Copies of the standard listed may be obtained from:

*National Fire Protection Association
Batterymarch Park
Quincy, Massachusetts 02269

